



LET'S BUILD A BETTER FUTURE

— The slender-profiled, sliding door system  
**MB-SKYLINE TYPE R / MB-SKYLINE**

# THE VIEW ABOVE ALL

The ALUPROF **MB-SKYLINE TYPE R** is a cutting-edge, large-scale, sliding door system which makes a feature of lightness and aesthetics. Slender profiles simultaneously provide both a contemporary look and a panoramic view of the surroundings.

The main features of the MB-SKYLINE TYPE R are the completely invisible profile of the door panel, the slender mullion and the shallow frame, all of which will be appreciated by users at the very first glance. The panels may be massive, but no great effort is required to slide them open and closed and the mechanism that operates them is almost soundless.

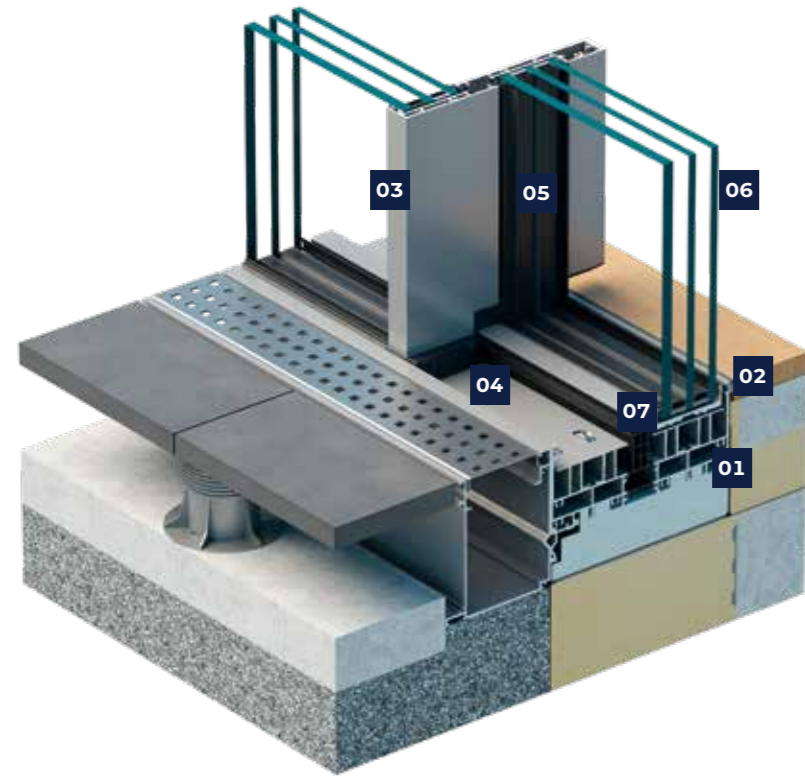
The maximum height for a structure based on the system is a soaring four metres and, if a concealed motor is fitted on the outside rather than being hidden, then the moving panel can weigh as much as 1200 kilograms.

This affords the possibility of designing spectacular glass walls.



THE SLENDER-PROFILED,  
SLIDING DOOR SYSTEM

## FEATURES AND BENEFITS



- 01 2- or 3-rail door frame built into the walls, floors and ceiling
- 02 the leaf profiles are completely hidden in the upper and lower frames, when the automatic drive unit option is selected, or the mullion features a locking mechanism, the leaf profiles remain invisible at the sides of the structure
- 03 the width of the mullion where the leaves meet is 25 mm
- 04 a convenient, shallow, 23 mm deep frame
- 05 the maximum panel weight is 500 kg for manually operated panels and 1200 kg with the concealed motor
- 06 glazing options range from 52 to 60 mm
- 07 the structural depth of the door profiles is 71 mm for leaf, 190 mm for 2-rail frame and 292 mm for 3-rail frame
- 08 the cutting-edge sliding seals used in the frame are aesthetically pleasing and silent in use
- 09 the rollers the leaf moves along are available in stainless steel or black polyamide
- 10 there are two locking; manual, using BT Lock hardware or fitted to the mullion
- 11 the motor is equipped with a radio receiver and security radar
- 12 fixed panels can be used, with the glazing set into the door frame, giving a similar appearance to the operable panel
- 13 state-of-the-art drainage system, complete with guttering
- 14 system brackets with height regulation
- 15 the structural base has excellent thermal isolation
- 16 the system features a 'zero mullion', which makes it possible to use external venetian and roller blinds like the ALUPROF Skyflow and Skyroll
- 17 an additional static mullion is available for the system. It can be used to create fixed panels for twin-track structures

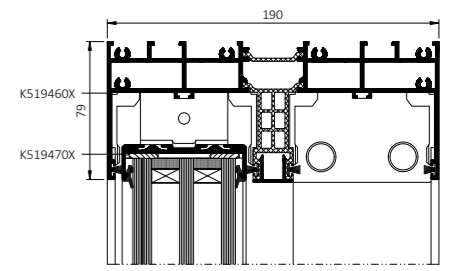
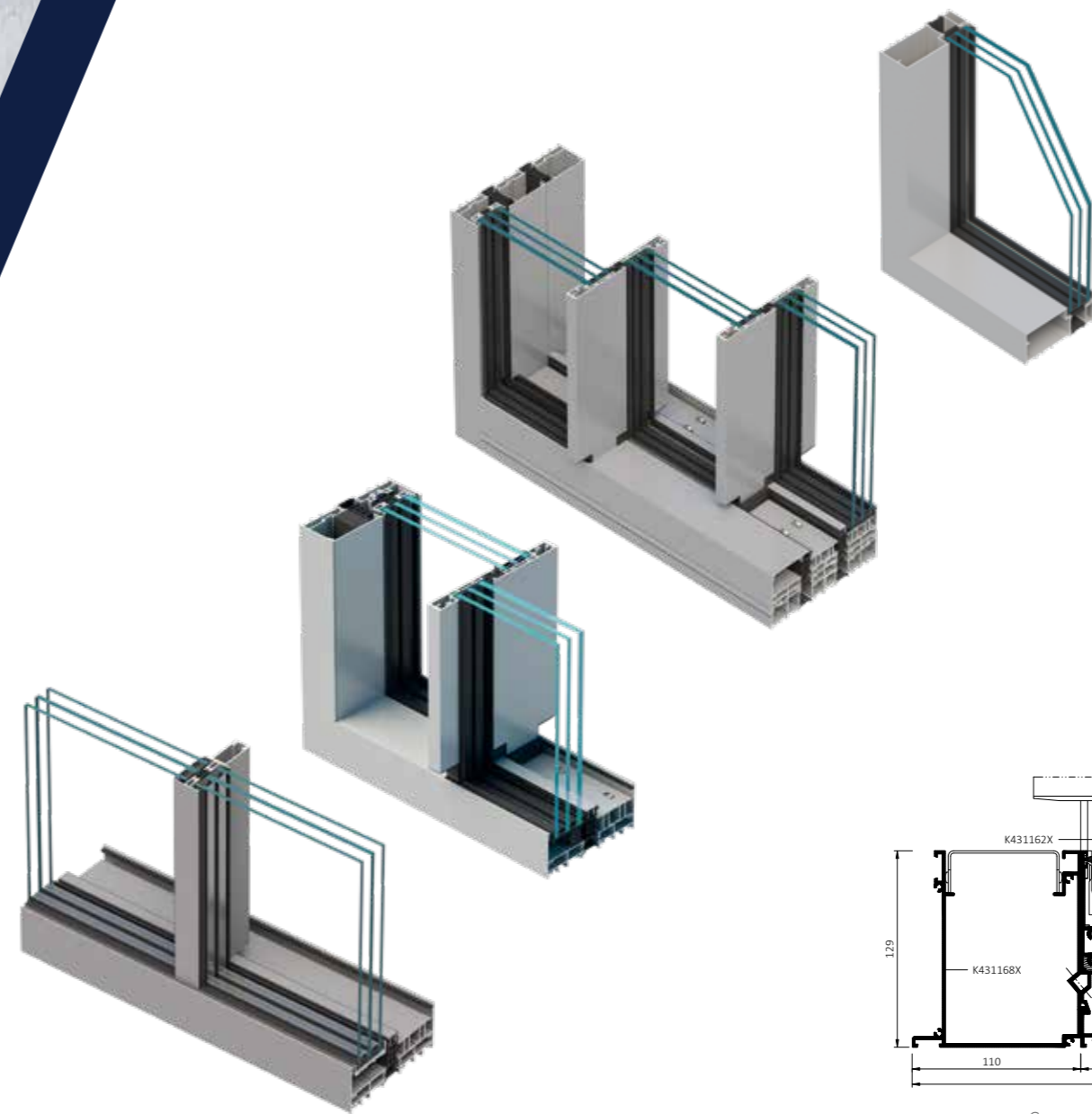


### PERFORMANCE

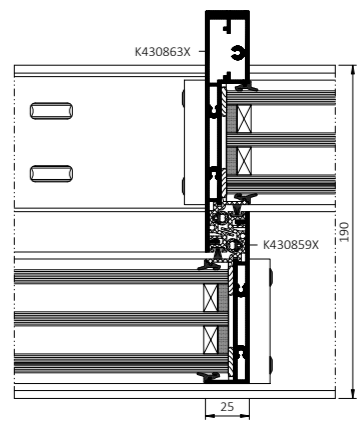
Air permeability	to class 4, EN 12207
Watertightness	to class 8A (450Pa), EN 12208
Wind load resistance	class C3 (1200 Pa)/B3 (1200 Pa) EN 12210
Thermal insulation	$U_w$ from 0.80 W/(m <sup>2</sup> K)*

\* for door leaf: 2049x3441 mm, infilled with triple glazing units  $U_g=0.5$  W/(m<sup>2</sup>K) and warm spacer

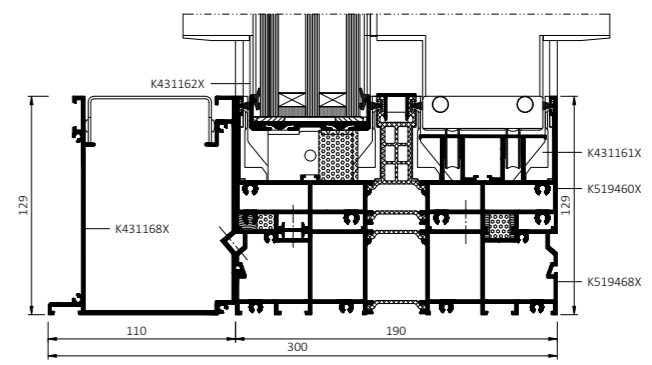
THE SLENDER-PROFILED,  
SLIDING DOOR SYSTEM



Cross section of the top of the door



Cross section of the door-leaf intersection point



Cross section of the bottom of the door



 THE SLENDER-PROFILED,  
SLIDING DOOR SYSTEM



# THE VIEW ABOVE ALL

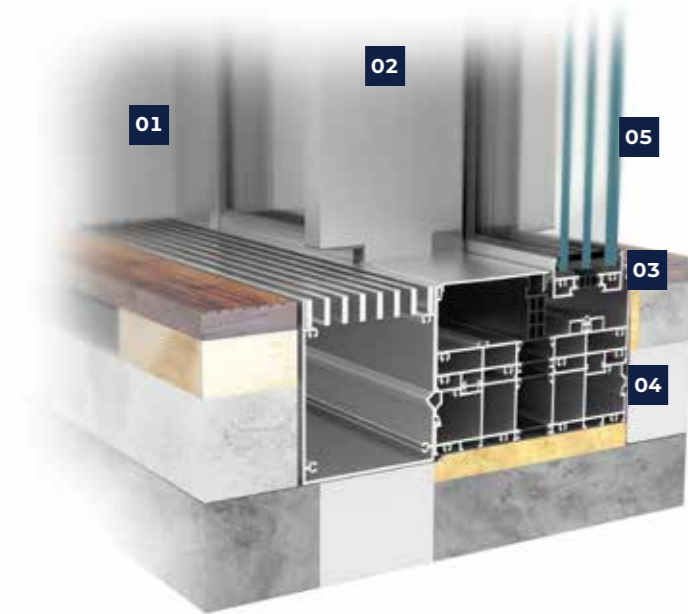
The **MB-SKYLINE** sliding door system with invisible frame uses narrow profiles. This gives the construction a modern and minimalist look.

Constructions fabricated with MB-SKYLINE have a one-of-a kind design and raise the profile of any project. They provide a comfortable, threshold-free connection of indoor and outdoor living spaces making natural environment part of users' daily experience.

While the doors can be very large, their slim construction gives the impression of lightness and delicacy. The product is uniformly glazed, has slim modulations and perfectly fits into high-end construction market.

THE SLENDER-PROFILED,  
SLIDING DOOR SYSTEM

## FEATURES AND BENEFITS



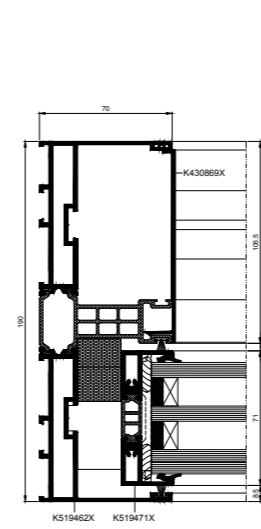
- 01 71 mm (door leaf) and 190 mm-deep profiles (2-slide frame)
- 02 modern design and high aesthetics: the frame is concealed in the wall, in the floor and in the ceiling, the frame profile is fully aligned at the sides, the visible connection width of door leaves is 25 mm
- 03 door leaves up to 700 kg and up to 4 m high
- 04 3-chambered, thermally-insulated profiles
- 05 52 to 60 mm-thick triple glazing units
- 06 door opens manually or automatically
- 07 drives and control units are concealed in frame profiles
- 08 can use an automatic unit mounted on the outside of the construction

## PERFORMANCE

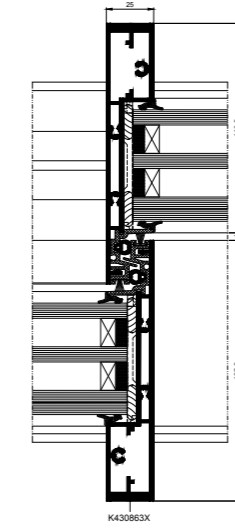
Air permeability	class 3, EN 12207
Watertightness	to class 9A (600Pa), EN 12208
Wind load resistance	to class C5 (2000Pa), EN 12210
Thermal insulation	$U_w$ from 0,85 W/(m <sup>2</sup> K)*

\* for door leaf: 2070×3440 mm, infilled with triple glazing units  $U_g=0.5$  W/(m<sup>2</sup>K) and warm spacer

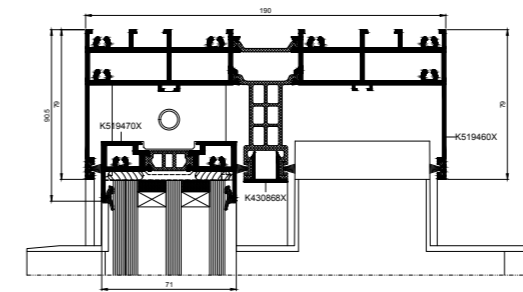




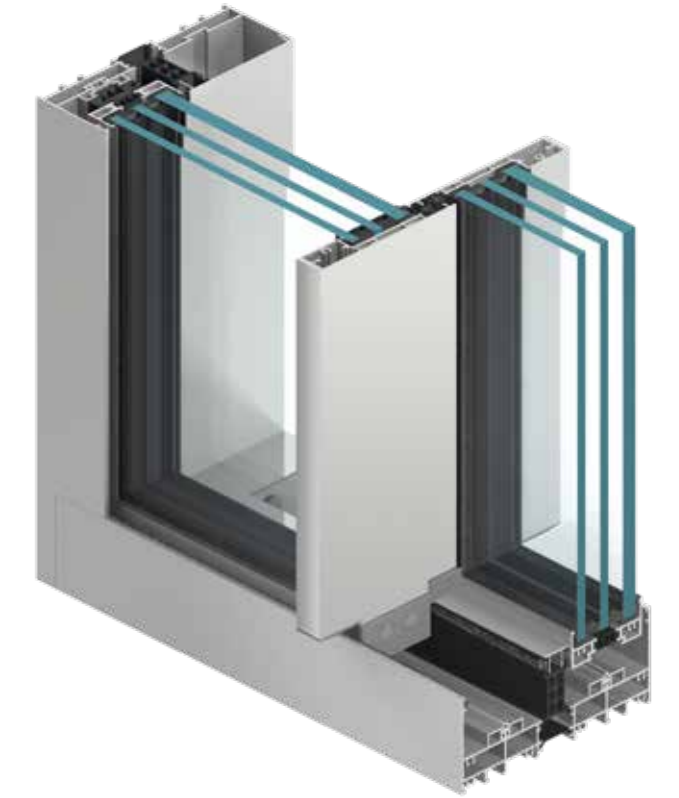
Door, side view



Door leaves connection, view



Door, bottom view



THE SLENDER-PROFILED,  
SLIDING DOOR SYSTEM





Download the folder  
to your device

**ALUPROF**  
ALUMINIUM SYSTEMS

**ALUPROF SA Plant in Bielsko-Biała**, ul. Warszawska 153, 43-300 Bielsko-Biała, Poland  
tel. +48 33 81 95 300, fax +48 33 82 20 512, e-mail: [aluprof@aluprof.eu](mailto:aluprof@aluprof.eu)

  
*Grupa Kęty*

[www.home.aluprof.com](http://www.home.aluprof.com)